

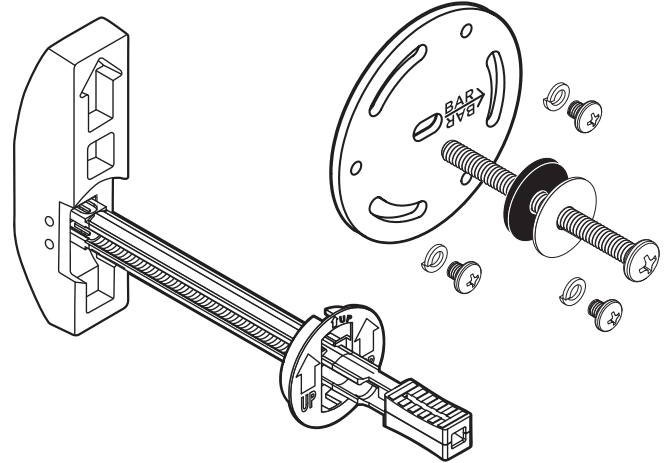
Easy Mount™

Wall Anchor

Technical Data Sheet

Product Specification

The Easy Mount Anchor is intended to assist in grab bar installations where there is no structural wood backing. The EasyMount Anchor distributes the loads onto wall substrates to support the forces applied to a grab bar. It can be used on both flanges of a grab bar, or 1 grab bar flange provided the other flange is secured directly to structural support. The anchor is positioned behind the wall and is held in place by a plastic retainer and ratcheting rails. The stainless steel mounting plate is installed on the front of the wall, and bolts directly to the anchor. The mounting plate provides threaded holes for a grab bar to be secured with machine screws. The foam gasket on the back of the mounting plate provides a seal to protect from water penetration.



Key Features

- Stainless Steel Mounting Plate & Hardware
- POM Anchor
- Suitable For Use in a Wet Environment
- 300 lbs / 136 kg Weight Capacity

Codes and Standards

- ADA 609.8 Structural Strength



Wall Requirements

Requires a 3.5" space behind the wall.

Drywall: 0.5" - 0.625"
Drywall and Tile: maximum 1.5"
Fiberglass: 0.125" to 0.25"

Required tools

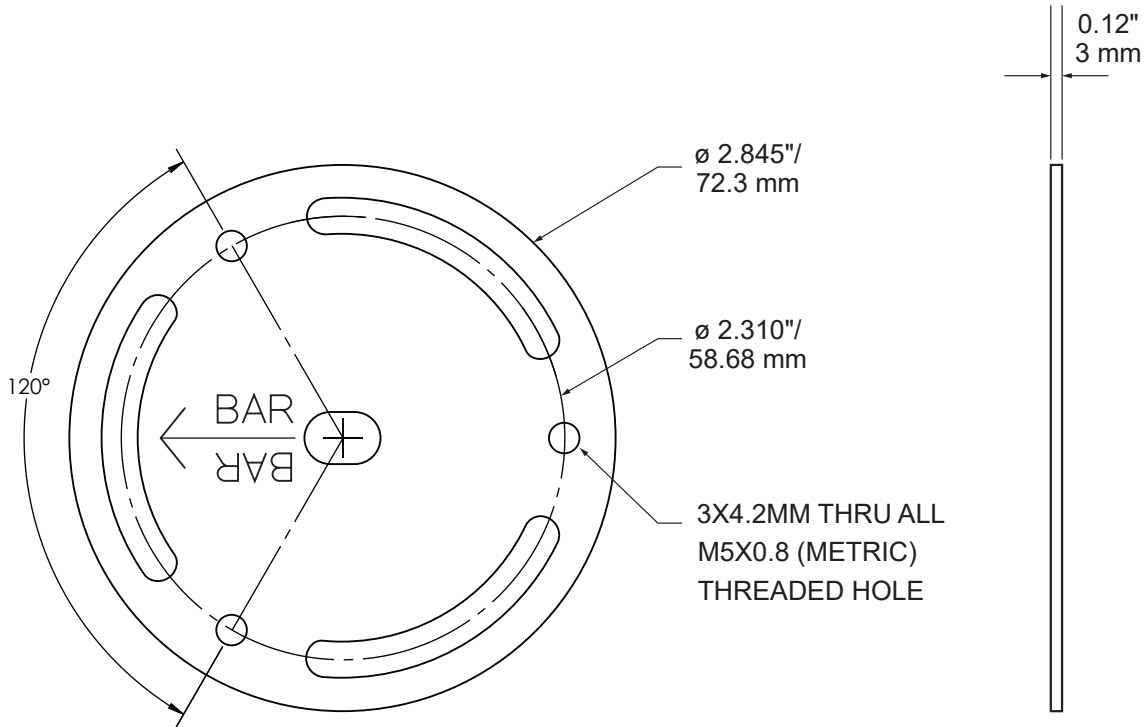
- Electric Drill
- 1¼" Hole Saw
- Philips Screwdriver
- Scissors
- Stud Finder
- Level
- Pencil

Easy Mount™

Wall Anchor

Technical Data Sheet

Product Dimensions



Specified Model

Model	Height (H)	Width (W)	Depth (D)	Weight
HWA (retail box)	8" / 20.3 cm	3.75" / 9.53 cm	1.625" / 4.1 cm	0.4 lbs / 0.18 kg
HWA-10PK	8.5" / 21.59 cm	8.25" / 20.95 cm	8.5" / 21.59 cm	4.6 lbs / 2.08 kg

