

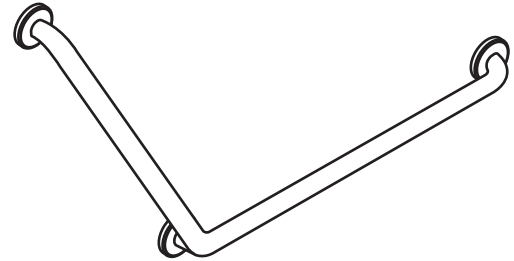
Easy Mount™

Grab Bar 120°

Technical Data Sheet

Product Specification

The product features a multi-hole flange to allow versatility for mounting screws. All components of the product shall be constructed of #304 stainless steel, suitable for use in wet environments. The product shall be constructed of 1.25" / 32mm tubing. The product shall have a weight capacity of 500lbs/227kgs. The product shall be HealthCraft Products model GB-___ (see table below for appropriate product code).



Key Features

- #304 Stainless Steel Construction
- Suitable For Use in a Wet Environment
- Flange Covers that Conceal Mounting Hardware
- 500lbs / 227kgs Weight Capacity

Codes and Standards

- ADA 609.2 Cross Section
- ADA 609.3 Spacing
- ADA 609.8 Structural Strength



Specified Model

Model	4 PACK	FINISH	LENGTH	MATERIAL
GB-24x24-SK	-4PK	Knurled	24" / 610mm	#304 Stainless Steel

Material Thickness

Tube Thickness: 0.049" / 1.25mm (approx)

Plate Thickness: 0.090" / 2.27mm (approx)

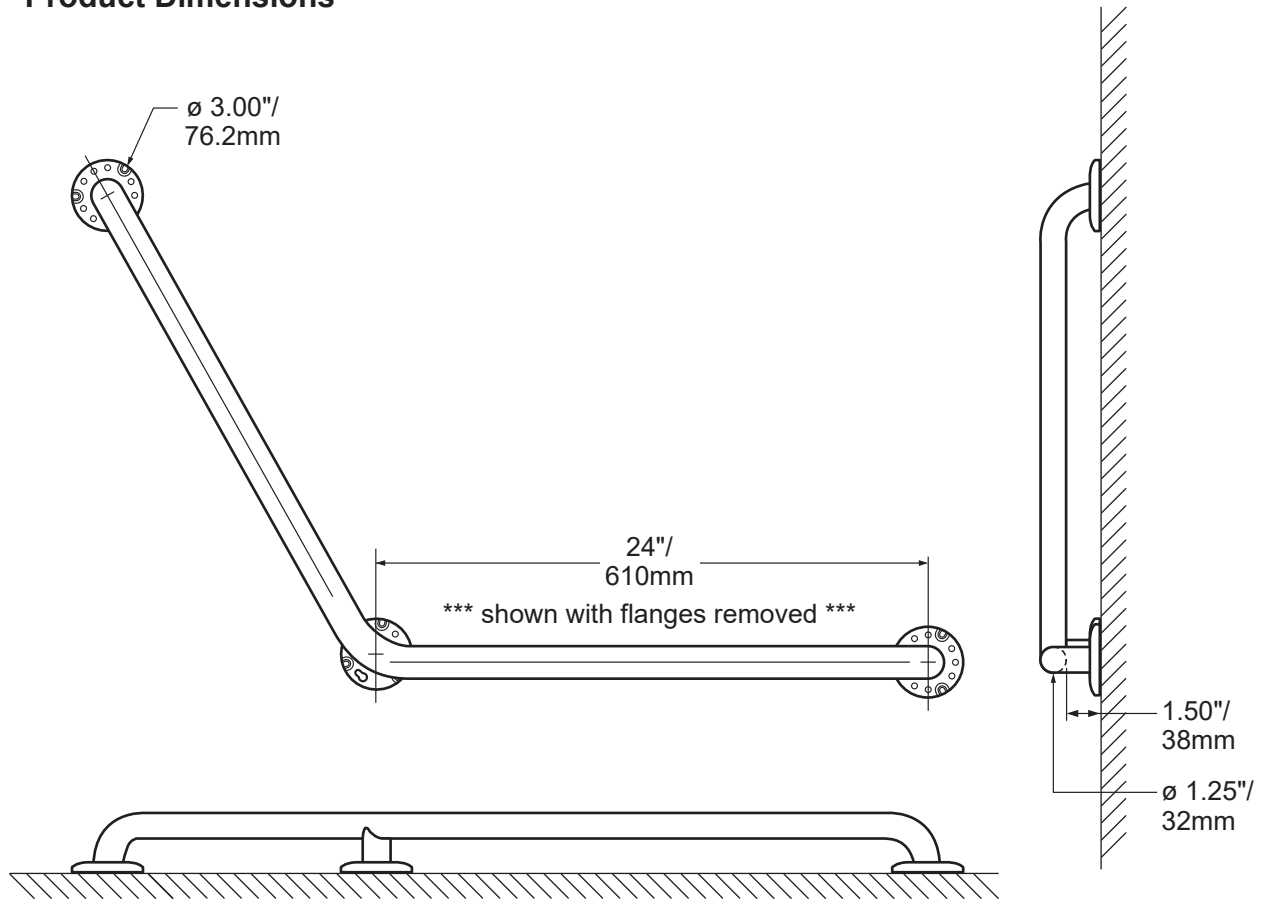
Cover Thickness: 0.030" / 0.76mm (approx)

Easy Mount™

Grab Bar 120°

Technical Data Sheet

Product Dimensions



Specified Model

Model	Height (H)	Width (W)	Depth (D)	Weight
GB-24x24-SK	4" / 10.16cm	27" / 68.58cm	47" / 119.38cm	8lbs / 3.63kg
GB-24x24-SK-4PK	4" / 10.16cm	27" / 68.58cm	47" / 119.38cm	22lbs / 9.98kg

