

Invisia™ Corner Seat

Elegant Spa Seating

INVISIA
LIVE BEAUTIFULLY

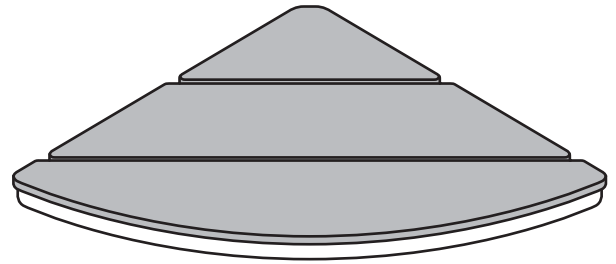
Technical Data Sheet

Product Specification

The corner shower seat shall have a Laminated Bamboo seating surface. The product shall be supported by two 18.5"/47cm hidden supports.

The seat frame shall be constructed of corrosion resistant stainless steel. Product shall have a weight capacity of 500lbs / 227kg.

Product shall comply with ADAAG 5.26.3 specifying the structural strength of grab bars, tubs and shower seats.



Key Features

- Bamboo Corner Seat
- Solid Construction and Mounting
- Hidden Mounting Brackets
- 500lbs / 227kg Weight Capacity
- Decorative Metal Trim

Codes and Standards

- ADAAG 4.26.3



Specified Model

Model	AAA - Bamboo Stain	BBB - Trim Finish	Trim Material
INV-WSCS-AAA-BBB	ASH (Ash)	BLK (Matte Black)	#304 Stainless Steel
INV-WSCS-AAA-BBB	WNT (Walnut)	BN (Brushed Nickel)	
		CRP (Triple Chrome Plate)	
		ORB (Oil Rubbed Bronze)	
		PCG (Powder Coat Grey)	

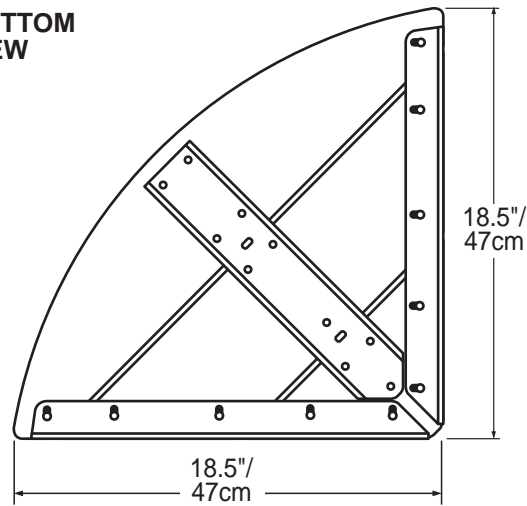
Invisia™ Corner Seat

Elegant Spa Seating

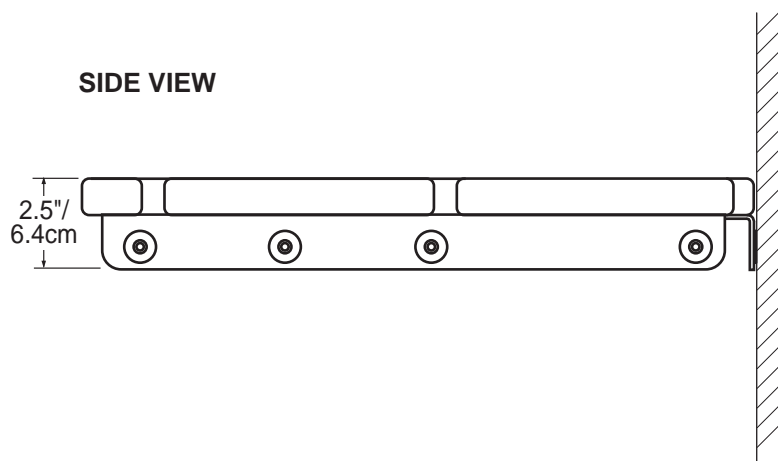
INVISIA
LIVE BEAUTIFULLY

Technical Data Sheet

**BOTTOM
VIEW**



SIDE VIEW



Shipping Dimensions

Model	Height (H)	Width (W)	Depth (D)	Weight
WSCS	19.5" / 49.5cm	20" / 50.8cm	3.625" / 9.207cm	10lbs / 4.5kg

